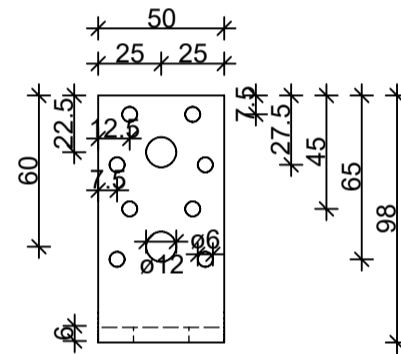
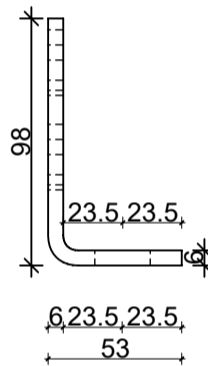
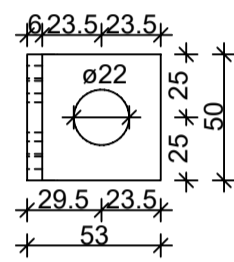
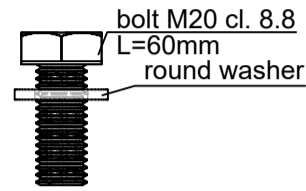
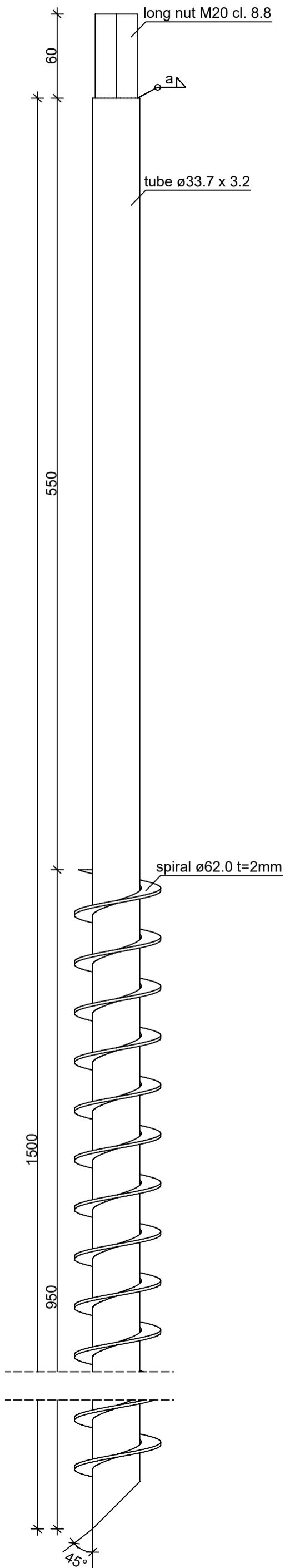


Twister foundation M20 L=1500mm



L-bracket made of steel S355

| | | | | |
|--------------------------------|------------------------|-----------------------|-----------------------|---------------------------------|
| Design company | | | | |
| GROUNDPLUG® CONFIDENTAL | | | | |
| Part: | prod. draw. | Number of drawing: | PPT 4 | Finish: HDG acc. to ISO EN 1461 |
| Product/Title: | Twister foundation M20 | Material/Steel grade: | S235 | Date: 05.2022 |
| Design: | Signature: | Sub-grade: | - | Scale: 1:3 |
| Check: | Signature: | Tolerances acc.to: | PN-EN ISO 9013: 2008 | Format: A3 |
| Draw: | Signature: | | PN-EN ISO 13920: 2000 | |
| | | | EXC2 | |